

eEBS - Electric Energy Billing System

(Runs with eLAN Max[®] & µeLAN[®] Max)

eEBS, A Cost Effective Software to Monitor, Compute & Realize your Electrical Energy Bills.



Conzerv's Energy Billing System is a totally indigenous, state of the art billing software package that runs with µeLAN Max or eLAN Max under Windows operating systems and supports standard features required for Energy Billing purposes. It computes, displays and generates Billing reports for the consumption of Electricity. eEBS captures the energy data from µeLAN Max or eLAN Max, computes and represents the data in the form of an energy bill in a prescribed format either on a daily or a monthly basis. eEBS enables viewing of kWh, generating history billing information, enabling utility to study the energy consumption profile of each tenant \ customer and helps to optimize usage.

eEBS Standard Features

- Ideal for Energy billing in IT parks, commercial complexes, housing colonies & apartments & resorts
- Scalable & integrates with µeLAN Max[®] or eLAN Max[®]
- Preformatted energy billing reports to meet your requirements
- Tenant/Customer based billing system can be generated on click of a mouse and reduce mandays
- Common area charges can be computed based on zone / area wise and on tenant wise
- Provision for EB/DG combined billing for tenants
- Runs on Windows XP \Vista Operating Systems
- Piracy protection through hardware key
- eEBS can be installed on the same system where µeLAN Max[®] or eLAN Max[®] is installed or on another system on the LAN
- Trial mode option for 60 days

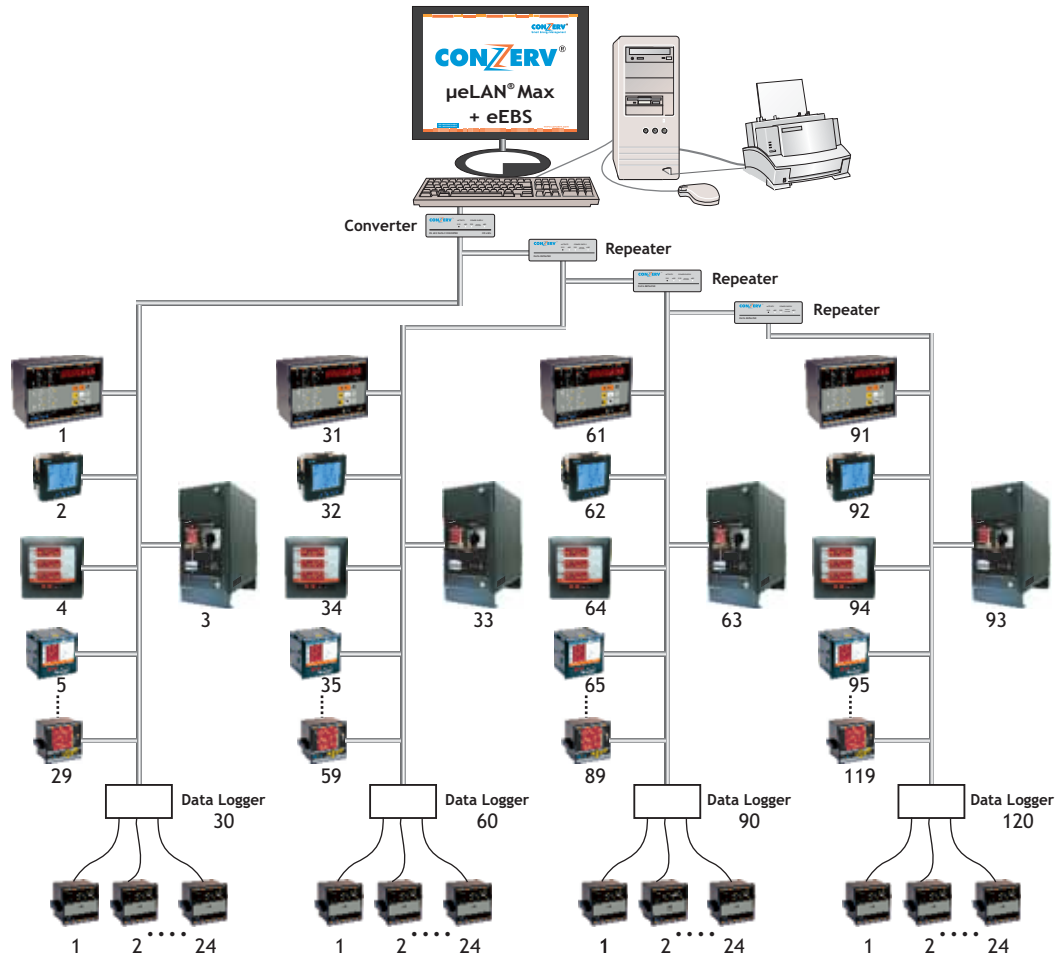
■ eEBS Bills & Reports

- Preformatted energy consumption bills on tenant basis
- Tenant/Customer profile information with payment status.
- Summary reports of bills on daily and monthly basis
- All Bills/Reports can be auto generated and can be e-mailed to specific e-mail ID's
- Logo & address can be customized for bills and Reports

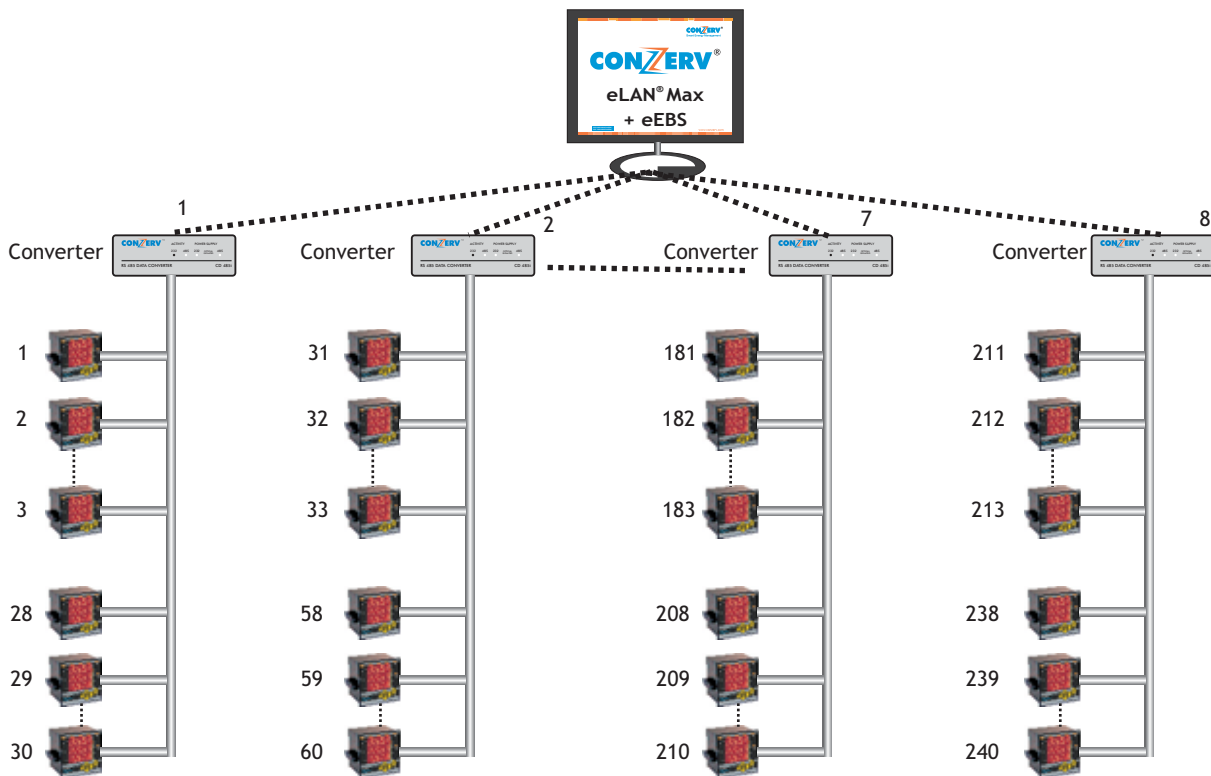
Have Free Trial
of this Software
for 60 Days with
µeLAN Max[®] or eLAN Max[®]



System Architecture with μ LAN[®] Max



System Architecture with eLAN[®] Max



eEBS Bill Sample



44P, Electronic City, East Phase, Hosur Road, Bangalore - 560100,
INDIA

Bill Start Date: 11-11-2008		Bill End Date: 11-12-2008	
Customer Name:		Customer Id:	1
Shop/Establishment/Office:		LoadCenterGroup2	
Total Utility Consumption (kWh):	1586	Total Generator Consumption (kWh):	0
Utility Unit Rate (INR):	1.61	Generator Unit Rate (INR):	7
Total Utility Consumption Cost (INR):	2553.46	Total Generator Consumption Cost (INR):	0.00
Common Area Charges (INR):			816392.36
Sub Total Consumption Cost (INR):			818945.82
Service Tax 10.5 % (INR):			85989.31
Additional Charges (INR):			3
Net Amount Payable before Due date (12-12-2008) in INR:			904938.13
Net Amount Payable after Due date (12-12-2008) in INR:			923036.89
This is a computer generated document. Signature is not required.			

eEBS Summery Report

Bill Start Date: 11-11-2008		Bill End Date: 11-12-2008	
Customer Name:	PD	Customer Id:	2
Shop/Establishment/Office:		LoadCenterGroup3	
Total Utility Consumption (kWh):		Total Generator Consumption (kWh):	0
Utility Unit Rate (INR):		Generator Unit Rate (INR):	7
Total Utility Consumption Cost (INR):		Total Generator Consumption Cost (INR):	0.00
Common Area Charges (INR):			Not Applicable
Sub Total Consumption Cost (INR):			855148.28
Service Tax 10.5 % (INR):			89790.57
Additional Charges (INR):			0
Net Amount Payable before Due date (12-12-2008) in INR:			944938.85
Net Amount Payable after Due date (12-12-2008) in INR:			963837.63
This is a computer generated document. Signature is not required.			

Powered by eEBS™

Print Date:

Thursday, December 11, 2008

PC Requirements

PC	:Core 2 Duo or higher
RAM	:1 GB or Higher. Dedicated system for EBS preferred.
Hard disk capacity	:160 GB Minimum Disk space required before installation
Monitor resolution	:1024 * 768 with minimum 256 colors or higher
Serial ports	:COM1 to COM 4 ports or more
Parallel port	:Min 1
USB port	:4 USB Ports
CD R/W Drive	:48X or above
Ethernet Port	:One

Software Requirements

EMS	:µeLAN® Max or eLAN® Max
Operating system	:Windows XP Professional SP 2/ Windows Vista/Windows 2003 Server
Internet Explorer	:IE 6.x or above
Office Suite	:MS Office/ 2003 or higher
Accessories	:Manuals

Ordering Information

a) Specify

eEBS for	µeLAN® Max	eLAN® Max
Quantity	_____	_____

b) Customer Name :.....

Conzerv strives for continuous product innovation. Product specifications are therefore subject to change without notice.
CONZERV® is a Registered Trade Mark of Conzerv Systems Pvt Ltd

Energy Audits, Power Quality Audits, Tuned Harmonic Filters, Training on Energy Efficiency, Energy Management Systems, Reactive Power Compensation, Block Reactors, Power Factor Improvement, Multi-Function Meters, Intelligent Power Factor Controllers, Power Analysers, Portable Palm Top Analysers, Genset Synchronisation Meters, AMF Relays, Electronic Energy Meters, Digital Panel Meters, Static Watt Hour Meters, Power Capacitors LT, Current Probes & Voltage Probes, coolite™ & Way 2 Save™.

Conzerv Representative

Help Desk 1800 425 0555 (Toll Free All India from BSNL / MTNL lines) Or Call 080 2852 0604 (Standard Charges Apply)

Email contact@conzerv.com

www.conzerv.com