

## Tariff Energy Meter - DM 5240T



- 3Ø Energy Meters
- Static Watthour Meter
- Projection Mount

### Features

- State of Art SMD Technology
- Wide Working Voltage Range
- Very Low Burden even at 300V (L-N) input
- Universal Whole Current 5A, 10A Ib
- Accurate Billing due to higher least count of register
- Equivalent of 7 digit display
- Higher Meter Constant for Faster Testing
- Accurate even under Harmonic Conditions
- Accuracy Class 1.0 as per CBIP 88 & IEC 61036
- Sustained accuracy over wide Working Voltage and Frequency Range
- Simultaneous sampling of Volts & Amps
- Instantaneous start
- LED indications for individual phase current reversal
- Sealed Dust-proof construction
- Built-in Transient Protection
- Compact size
- Extended terminal cover
- Pulse output option for online Energy Billing Systems
- Not affected by current reversal
- Accuracy independent of mounting style

### Benefits

- Minimizes power loss due to low VA burden
- Prevents unauthorized utilization of power
- Prevents tampering - Not affected by external magnetic tampering

### Application

- Energy billing
- Shopping malls
- Small scale industries
- Residential Buildings

### Know your DM 5240T

**Pwr ON LED** indicates presence of supply.

**P o/p LED** indicates that integration of energy is in progress. The LED blinks faster than the counter update. Hence its resolution is higher than that of the counter and can be conveniently used for meter calibration in shorter time.

**Rev LED** indicates the direction of flow of energy for individual phases (R,Y,B) - "OFF" for forward energy flow and "ON" for reverse energy flow

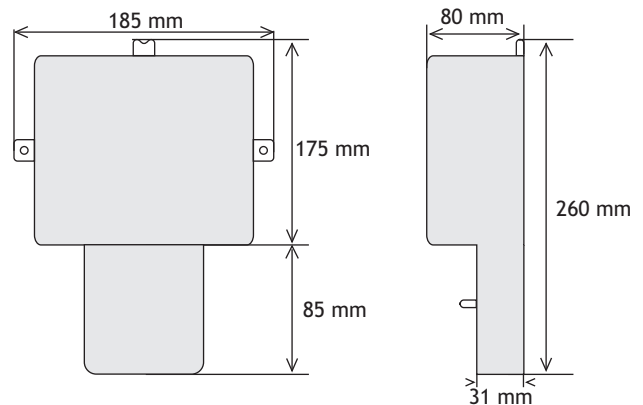
## Technical Specifications

■ Accuracy	: Class 1.0 as per IEC 61036 & CBIP 88
■ Configuration	: 3 phase 4 wire
■ Voltage rating (Vref)	: 415V Line to Line (240V Line to Neutral) Working voltage (-40% to +30% of Vref)
■ Frequency	: 50Hz (Range 45 Hz to 62.5 Hz)
■ Current rating	: 10A (5A Optional). I <sub>max</sub> ; 400% of basic current (600% optional only with 5A basic current).
■ Starting current	: 0.4 % of I <sub>b</sub> .
■ Display register	: 6 digit electro mechanical counter with last digit further graduated effectively to provide one more digit.
■ Meter constant	: 1,000 Pulses / kWh.
■ Burden	: Less than 0.1 VA for Current/Phase. Total burden is less than 2.5 VA / phase.
■ Temperature	: 0 to 60 deg.C.
■ Humidity	: < 95% Non-Condensing.
■ Pulse rate at POP terminal	: 20 pulses / kWh

## Mechanical Specification

■ Casing material	: Magnetically Shielded Steel case.
■ Overall dimensions	: 252 x 182 x 74mm (H x W x D) approx.
■ Weight	: 1.4 kgs. approx.
■ Mounting	: Projection type.

## Maximum Outer Dimension



## Ordering Information

Specify

Model No.	Current rating I <sub>b</sub>	Max current I <sub>max</sub>	Pulse O/P
<input type="checkbox"/> DM 5240(T)	<input type="checkbox"/> 5 A <input type="checkbox"/> 10A	<input type="checkbox"/> 400% of I <sub>b</sub> <input type="checkbox"/> 600% of I <sub>b</sub> *	<input type="checkbox"/>

Note : \*applicable only for 5A I<sub>b</sub>

Conzerv strives for continuous product innovation. Product specifications are therefore subject to change without notice. **CONZERV** is a Registered Trade Mark of Conzerv Systems Pvt Ltd

Energy Audits, Power Quality Audits, Tuned Harmonic Filters, Training on Energy Efficiency, Energy Management Systems, Reactive Power Compensation, Block Reactors, Power Factor Improvement, Multi-Function Meters, Intelligent Power Factor Controllers, Power Analysers, Portable Palm Top Analysers, Genset Synchronisation Meters, AMF Relays, Electronic Energy Meters, Digital Panel Meters, Static Watt Hour Meters, Power Capacitors LT, Current Probes & Voltage Probes.

Conzerv Representative

Customer Help Desk 1800 425 0555 (Toll Free All India from BSNL / MTNL lines) Or Call 080 2852 0604 (Standard Charges Apply)