



Standalone Metering Solutions

Digital Panel Meters - DM 32 Series

Check the health of your electrical system
Use our accurate, reliable digital meters !



Applications

- Electrical Panels
- Test Benches
- Wind Energy
- Co-Generation
- Genset Panels
- Lab Equipment

Optional Accessories

- 144x144 Adapter
- Terminal Block cover
- Connecting Leads :
 - Set of one pair (R, Y, B)
 - Set of three pairs (R, Y, B)
- Fused Voltage Probes :
 - Single Probe (Red, Black)
 - Set of three Probes (R, Y, B)
 - Set of four Probes (R, Y, B & Black)

Features

- 1Phase & 3 Phase
- Compact 96 x 96 mm DIN case, 80mm Depth
- Flush mount
- Accuracy Class 1.0, 0.5
- Built-In Phase Selector Switch - 3 phase meters
- Over 11 models in AC & DC versions
- Fully Solid State
- Bench top models with transparent safety cover for Terminal Block
- 12.5mm super bright red LED display
- Field settable standard full scale for Voltmeters & Ammeters

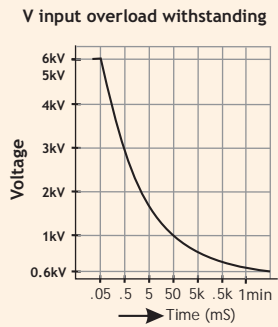
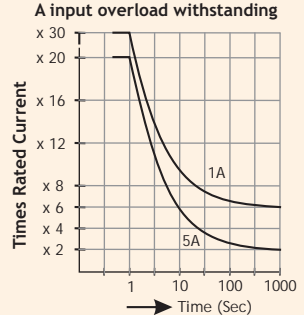
Models

Parameter	Single Phase					Three Phase				dc Meter	
	V	kV	A	kA	Hz	V	kV	A	kA	V	A
DM 3250	•										
DM 3251		•									
DM 3252			•								
DM 3259				•							
DM 3270					•						
DM 3256 ¹						•					
DM 3257 ¹							•				
DM 3258 ¹								•			
DM 3261 ¹									•		
DM 3290										•	
DM 3291											•

NOTE:

1. Single parameter version with built-in selector switch.
2. For DM 3290 & 3291 -ve sign is indicated on display if input is reversed.

Technical Specifications

Input (Single Phase or 3 Phase 3 Wire/4 Wire):			
Nominal Voltage	Range	Nominal Current	Range
63.5V	51 to 76 V	5 Amps	0.25 to 6.0 Amps
110 V	80 to 130 V		
240 V	170 to 270 V	1 Amp	0.05 to 1.2 Amps
415 V	330 to 470 V		
Frequency			
50 Hz	45 to 65 Hz		
For Frequency Meter only		4 Digit Display Reads Auxiliary Supply Frequency	
a) Standard Model		20.00 to 99.99 Hz (40 V to 500V)	
b) With External Signal option			
			
Aux. Supply	Nominal 110 V Range 80 to 150 V ac Nominal 240 V Range 170 to 300 V ac		
Accuracy	Class 1.0 [\pm (1% of Full Scale + 1 Count)] Class 0.5 [\pm (0.5% of Full Scale + 1 Count)]		
For Hz meters	Class 0.2 [\pm (0.2% of Full Scale + 1 Count)]		
Resolution	1 Count in 100 Counts or better		
Display	3 digital for nominal full scale counts upto 800 3 1/2 digits for nominal full scale counts from 800 to 1600 for Class 0.5 only		
Burden	0.2 VA max. per phase (Volts/Amps Input)		
Ambient	Temperature 0 to 50°C Humidity < 95% Non condensing		
Weight	320 to 400 gms depending on Model		
Mounting	Panel Mounting		
Warranty	3 year from date of invoice		

Ordering Information

Specify

Models	Accuracy	Aux Supply	Input Voltage/ Current	PT / CT Ratio
<input type="checkbox"/> DM 3250 ⁶	<input type="checkbox"/> Cl. 1.0	<input type="checkbox"/> 110Vac	<input type="checkbox"/> 63.5V	_____ 1 PT ratio E.g. 33kV/ 110V
<input type="checkbox"/> DM 3256			<input type="checkbox"/> 110V	
<input type="checkbox"/> DM 3251	<input type="checkbox"/> Cl. 0.5	<input type="checkbox"/> 240Vac	<input type="checkbox"/> 240V	
<input type="checkbox"/> DM 3257			<input type="checkbox"/> 415V	
<input type="checkbox"/> DM 3252	<input type="checkbox"/> Cl. 1.0	<input type="checkbox"/> 110Vac	<input type="checkbox"/> 1 A	_____ 2 CT ratio E.g: 1200/ 5 A
<input type="checkbox"/> DM 3259	<input type="checkbox"/> Cl. 0.5	<input type="checkbox"/> 240Vac	<input type="checkbox"/> 5 A	
<input type="checkbox"/> DM 3258				
<input type="checkbox"/> DM 3261				
<input type="checkbox"/> DM 3290 ³	<input type="checkbox"/> Cl. 1.0 <input type="checkbox"/> Cl. 0.5	<input type="checkbox"/> 110Vac <input type="checkbox"/> 240Vac	10-500Vdc	
<input type="checkbox"/> DM 3291 ⁴	<input type="checkbox"/> Cl. 1.0 <input type="checkbox"/> Cl. 0.5	<input type="checkbox"/> 110Vac <input type="checkbox"/> 240Vac		
<input type="checkbox"/> DM 3270 ⁵	<input type="checkbox"/> Cl. 0.2	<input type="checkbox"/> 110Vac <input type="checkbox"/> 240Vac	<input type="checkbox"/> 415Vac <input type="checkbox"/> 110Vac	

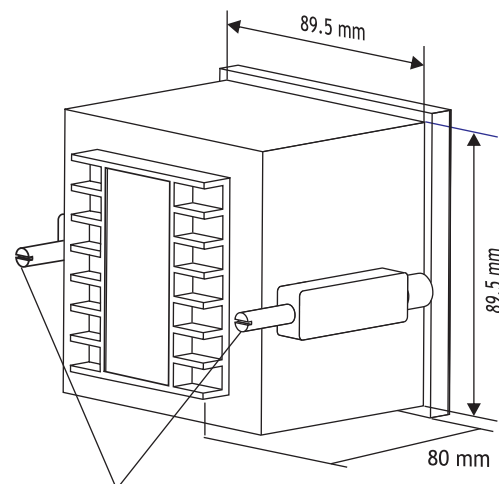
NOTE:

- One typical value of PT, CT ratio is shown above, meters can be supplied with other ratios also.
- If the CT ratio /full scale exceeds 1600, we will provide DM 3259 and DM 3261 kA instead of DM 3252 and DM 3258.
- For DM 3290*, input voltage ranges from 10 500V dc.
- For DM 3291*, input voltage: 75/60mV dc shunt.
- DM 3270 is also available with External Vin as option.
- DM 3250 is also available with Input Voltage 0 to 20V.

*Auxiliary supply is ac, refer technical specification.

Dimensions

Bezel : 96 x 96 mm
Depth : 80 mm behind Bezel
Panel cutout : 92^{+0.5} x 92^{-0.5} mm



9mm additional space on both side of the meter inside the Panel