

## Tariff Energy Meter - DM 5210T



- Single Ø Energy Meter
- Static Watthour Meter
- Projection Mount

### Features

- State of Art SMD Technology
- Wide Working Voltage Range
- Very Low burden even at 300V (L-N) input
- Universal Whole Current 2.5A, 5 A & 10A Ib
- Accurate Billing due to higher least count of register
- Equivalent of 7 digit display
- Higher Meter Constant for Faster Testing
- Accurate even under Harmonic conditions
- Accuracy Class 1.0 as per IEC 61036, CBIP 88
- Sustained accuracy over wide Working Voltage and Frequency Range
- Simultaneous sampling of Volts & Amps
- Over voltage protection (415 V)
- Instantaneous start
- Tamper Indication; Current Reversal, Earthed Load Tamper
- Sealed Dust-proof
- Built-in Transient Protection
- Compact size
- Extended terminal cover
- Pulse output option for online Energy Billing Systems

### Benefits

- Minimizes power loss due to low VA burden
- Prevents unauthorized utilization of power
- Prevents tampering

### Applications

- Energy billing
  - Shopping malls
  - Small scale industries
  - Residential Buildings

### Know your DM 5210T

**Pwr ON, P o/p, Reverse & Earth LEDs** on the front panel

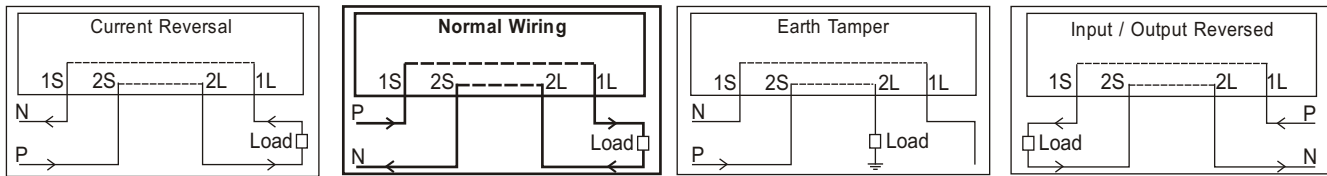
**Pwr ON LED** indicates presence of supply.

**P o/p LED** indicates that integration of energy is in progress. The LED blink faster than the counter update. Hence its resolution is higher than that of the counter and can be conveniently used for meter calibration in shorter time.

**Rev LED** indicates the direction of flow of energy - OFF for forward energy flow and "ON" for reverse energy flow.

**Earth LED** indicates if any load is drawn through earth fully or partially.

**Some of the misconnections to which DM5210T is immune.**



**Technical Specifications**

- Accuracy : Class 1.0 as per IEC 61036, CBIP 88.
- Voltage rating (Vref) : 240V (Nominal). Working voltage; 120 to 300V (-50% to +25% of Vref)
- Frequency : 50Hz (Range 45 Hz to 62.5 Hz)
- Current rating : 5A (2.5A & 10A Optional). I<sub>max</sub>; 400% of basic current (600% optional)
- Starting current : 0.4 % of I<sub>b</sub>.
- Display register : 6 digit electro mechanical counter with 1 decimal digit further graduated effectively to provide one more decimal digit.
- Meter constant : 6,400 Pulses / kWh.
- Burden : Less than 0.1 VA for Current Circuit; Total burden 2.5 VA (typ.)
- High Voltage Protection : 415V between phase & neutral for 10 minutes
- Temperature : 0 to 60 deg.C.
- Humidity : < 95% Non-Condensing.
- Pulse rate : 200 pulses / kWh at POP terminal

**Ordering Information**

Specify

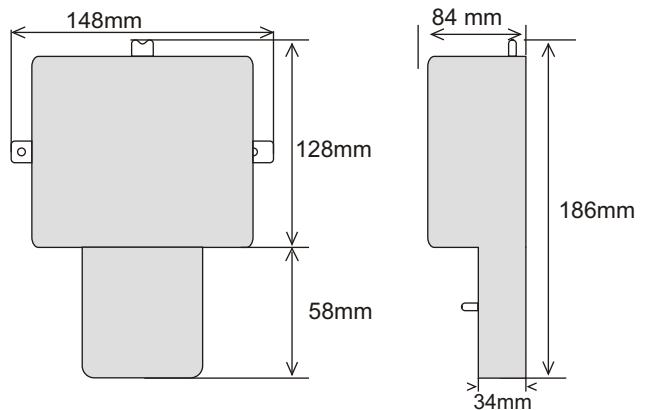
Model No.	Current rating I <sub>b</sub>	Max current I <sub>max</sub>	Pulse O/P
<input type="checkbox"/> DM 5210(T)	<input type="checkbox"/> 2.5 A	<input type="checkbox"/> 400% of I <sub>b</sub>	<input type="checkbox"/>
	<input type="checkbox"/> 5A	<input type="checkbox"/> 600% of I <sub>b</sub> *	
	<input type="checkbox"/> 10 A		

Note : \*applicable only for 2.5A & 5A I<sub>b</sub>

**Mechanical Specification**

- Casing material : Polycarbonate
- Overall dimensions: 186x 148x 84mm (H x W x D) approx.
- Weight : 900 Grams approx.
- Mounting : Projection type.

**Maximum Outer Dimension**



Conzerv strives for continuous product innovation. Product specifications are therefore subject to change without notice. **CONZERV**® is a Registered Trade Mark of Conzerv Systems Pvt Ltd

Energy Audits, Power Quality Audits, Tuned Harmonic Filters, Training on Energy Efficiency, Energy Management Systems, Reactive Power Compensation, Block Reactors, Power Factor Improvement, Multi-Function Meters, Intelligent Power Factor Controllers, Power Analysers, Portable Palm Top Analysers, Genset Synchronisation Meters, AMF Relays, Electronic Energy Meters, Digital Panel Meters, Static Watt Hour Meters, Power Capacitors HT & LT, Current Probes & Voltage Probes.

Conzerv Representative

Customer Help Desk 1800 425 0555 (Toll Free All India from BSNL / MTNL lines) Or Call 080 2852 0604 (Standard Charges Apply)