

## Digital Panel Meters - DM 32 Series

Check the health of your electrical system ....  
Use our accurate, reliable digital meters !



### Applications

- Electrical Panels
- Test Benches
- Wind Energy
- Co-Generation
- Genset Panels
- Lab Equipment

### Optional Accessories

- 144x144 Adapter
- Terminal Block cover
- Connecting Leads :
  - Set of one pair (R, Y, B)
  - Set of three pairs (R, Y, B)
- Fused Voltage Probes :
  - Single Probe (Std. Black)
  - Set of three Probes (R, Y, B)
  - Set of four Probes (R, Y, Blue & Black)

### Features

- Compact 96 x 96 mm DIN case, 80mm Depth
- Flush mount
- Accuracy Class 1.0, 0.5
- Built-In Phase Selector Switch
- 1 Phase & 3 Phase
- Built - in transducers
- Over 11 models in AC & DC versions
- Fully Solid State
- Bench top models with transparent safety cover for Terminal Block
- 12.5mm super bright red LED display
- Field settable standard full scale for Volt & Ammeters

### Models

Parameter	Single Phase					Three Phase				dc meter	
	V	kV	A	kA	Hz	V	kV	A	kA	V	A
DM 3250	✓										
DM 3251		✓									
DM 3252			✓								
DM 3259				✓							
DM 3270					✓						
DM 3256 <sup>1</sup>						✓					
DM 3257 <sup>1</sup>							✓				
DM 3258 <sup>1</sup>								✓			
DM 3261 <sup>1</sup>									✓		
DM 3290										✓	
DM 3291											✓

NOTES:

1. Single parameter version with built-in selector switch.
2. For DM 3290 & 3291 -ve sign is indicated on display if input is reversed.

## Technical Specifications

a) Input (Single Phase or 3 Phase 3 Wire/4 Wire):			
<b>Nominal Voltage</b>	<b>Range</b>	<b>Nominal Range Current</b>	
63.5V	51 - 76 V	5 Amps	0.25 to 6.0 Amps
110 V	80 - 130 V		
240 V	170 - 270 V	1 Amp	0.05 to 1.2 Amps
415 V	330 - 470 V		
<b>Frequency</b>			
50 Hz	45 - 65 Hz		
For Frequency Meter only : 4 Digit Display			
a) Standard Model : Reads Auxiliary Supply Frequency			
b) With External Signal option : 20.00 - 99.99 Hz (40 V - 500V)			
<b>V input overload withstanding</b>		<b>A input overload withstanding</b>	
b) Aux. Supply	: Nominal 110 V Range 80 - 150 V ac : Nominal 240 V Range 170 - 300 V ac		
c) Accuracy	: Class 1.0 [ $\pm(1\%$ of Full Scale+1 Count)] : Class 0.5 ( $\pm(0.5\%$ of Full Scale+1 Count)] For Hz meters : Class 0.2 [ $\pm(0.2\%$ of Full Scale + 1 Count)]		
d) Resolution	: 1 Count in 100 Counts or better		
e) Display	: 3 digits for nominal full scale counts upto 800 : 3 1/2 digits for nominal full scale counts from 800 to 1600 for Class 0.5 only.		
f) Burden	: <b>0.2 VA max.</b> per phase (Volts/Amps Input)		
g) Ambient	: Temperature 0 - 50°C Humidity <95% Non condensing		
h) Weight	: 320 - 400 gms depending on Model		
i) Dimensions	: Bezel : 96 x 96 mm		
j) Depth	: 80 mm behind bezel		
k) Panel Cut-out	: $92^{+0.5} \times 92^{+0.5}$ mm		
l) Mounting	: Panel Mounting		
m) Warranty	: 1 year from date of invoice		

## Ordering Information

Specify

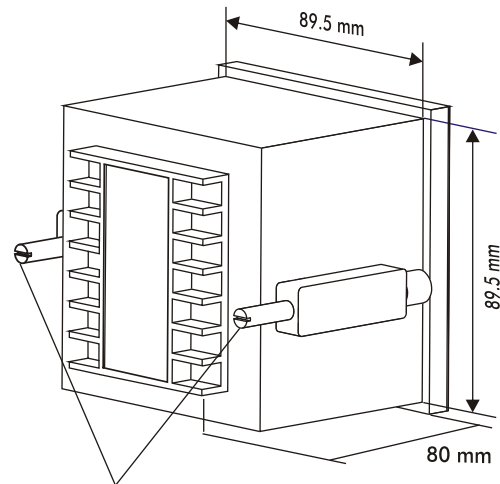
Models	Accuracy	Aux Supply	Input Voltage/Current	PT / CT Ratio
<input type="checkbox"/> DM 3250	<input type="checkbox"/> Cl.1.0	<input type="checkbox"/> 110V	<input type="checkbox"/> 63.5V	PT ratio E.g.33/ 110kV/V
<input type="checkbox"/> DM 3256			<input type="checkbox"/> 110V	
<input type="checkbox"/> DM 3251	<input type="checkbox"/> Cl.0.5	<input type="checkbox"/> 240V	<input type="checkbox"/> 240V	
<input type="checkbox"/> DM 3257			<input type="checkbox"/> 415V	
<input type="checkbox"/> DM 3252	<input type="checkbox"/> Cl.1.0	<input type="checkbox"/> 110V	<input type="checkbox"/> 1 A	CT ratio E.g:1200/ 5 A
<input type="checkbox"/> DM 3259	<input type="checkbox"/> Cl.0.5	<input type="checkbox"/> 240V	<input type="checkbox"/> 5 A	
<input type="checkbox"/> DM 3258				
<input type="checkbox"/> DM 3261				
<input type="checkbox"/> DM 3290 <sup>3</sup>	<input type="checkbox"/> Cl.1.0 <input type="checkbox"/> Cl.0.5		10-500V	
<input type="checkbox"/> DM 3291 <sup>4</sup>	<input type="checkbox"/> Cl.1.0 <input type="checkbox"/> Cl.0.5			
<input type="checkbox"/> DM 3270 <sup>5</sup>	<input type="checkbox"/> Cl.0.2	<input type="checkbox"/> 110V <input type="checkbox"/> 240V		

NOTE:

- One typical value of PT, CT ratio is shown above, meters can be supplied with other ratios also.
- If the CT ratio /full scale exceeds 1600, we will provide DM 3259 and DM 3261 kA instead of DM 3252 and DM 3258.
- For DM 3290, input voltage ranges from 10 - 500V dc.
- For DM 3291, input voltage: 75/60mV dc shunt.
- DM 3270 is also available with External Vin as option.

## Dimensions

Bezel : 96 x 96 mm  
Depth : 80 mm behind Bezel  
Panel cutout :  $92^{+0.5} \times 92^{+0.5}$  mm



9mm additional space on both side of the meter inside the Panel

Conzerv strives for continuous product innovation. Product specifications are therefore subject to change without notice. **CONZERV®** is a Registered Trade Mark of Conzerv Systems Pvt Ltd

Energy Audits, Power Quality Audits, Tuned Harmonic Filters, Training on Energy Efficiency, Energy Management Systems, Reactive Power Compensation, Block Reactors, Power Factor Improvement, Multi-Function Meters, Intelligent Power Factor Controllers, Power Analysers, Portable Palm Top Analysers, Genset Synchronisation Meters, AMF Relays, Electronic Energy Meters, Digital Panel Meters, Static Watt Hour Meters, Power Capacitors HT & LT, Current Probes & Voltage Probes.

Conzerv Representative

Customer Help Desk 1800 425 0555 (Toll Free All India from BSNL / MTNL lines) Or Call 080 2852 0604 (Standard Charges Apply)

Email [contact@conzerv.com](mailto:contact@conzerv.com)

[www.conzerv.com](http://www.conzerv.com)